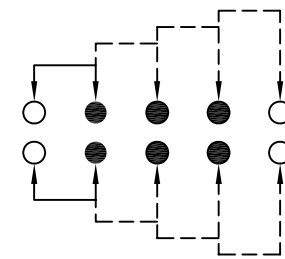
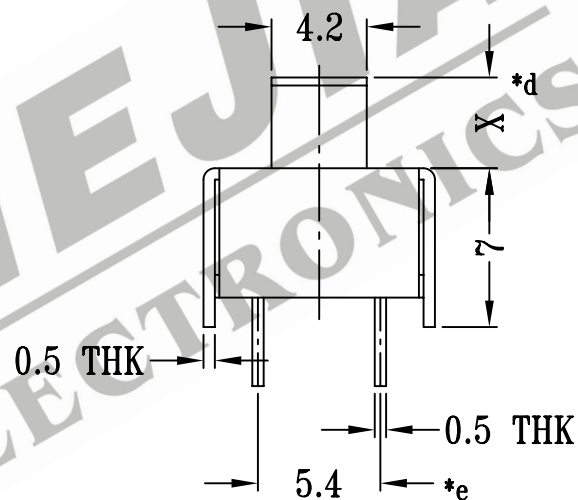
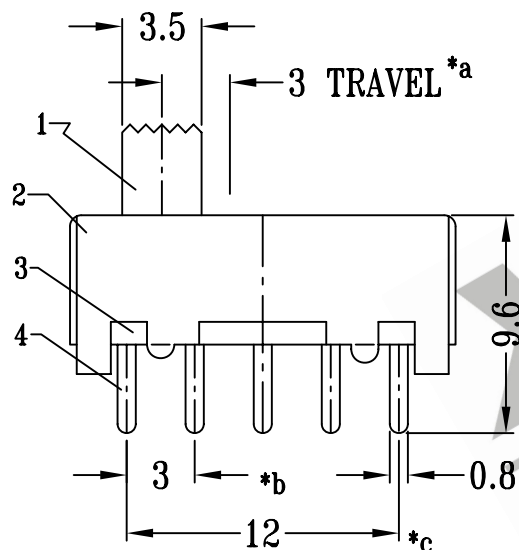
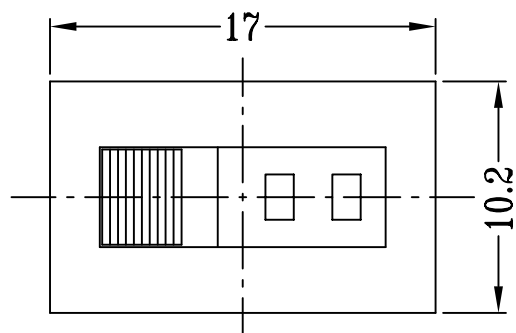
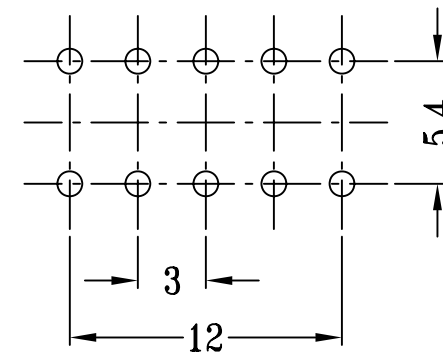


CAD FILE:



**SCHEMATIC (NON-SHORTING)**



**P.C.B LAYOUT**

注:带"\*"表示关键尺寸(6个)

NO.	PARTS	MATERIALS	Q'TY	FINISH	TOLERANCE UNLESS SPECIFIED	SHENZHEN XIEJIA ELECTRONICS CO.,LTD.								
8						<table border="1"> <tr> <td>ISSUE</td> <td>DATE</td> <td colspan="2">DESCRIPTIONS OF REVISION</td> <td>APPD.</td> </tr> </table>				ISSUE	DATE	DESCRIPTIONS OF REVISION		APPD.
ISSUE	DATE	DESCRIPTIONS OF REVISION		APPD.										
7	CONTACT (CLIP)	PBS STRIP	2	Ag PLATED	WITHIN: 1.5±0.1mm OVER : 1.5±0.2mm									
6	SPRING	STEEL WIRE	1	TEMPER										
5	STEEL BALL	STEEL	1	NATURAL										
4	TERMINAL	BRASS STRIP	10	Ag PLATED OVER Ni PLATED	TITLE : VERTICAL SLIDE SWITCH	UNIT : mm	DRWG NO.: XJ-DR-SS24F03-00							
3	TERMINAL BASE	PHENOLIC RESIN	1	NATURAL	MODEL: SS-24F03	SCALE: 3:1	DWN.	ZHOUYU	2003-12-28					
2	FRAME	STEEL STRIP	1	Ni PLATED			CHK'D	FANGYING	2003-12-28					
1	KNOB	POM	1	BLACK	ALL MATERIALS MUST BE COMPLIANT TO ROHS		APPD.	KANGXINAN	2003-12-28					